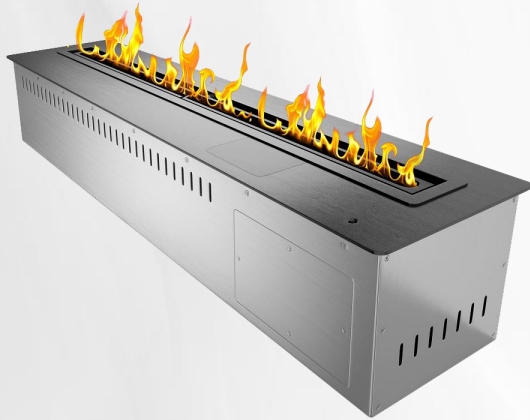


AUTOMATIC FIREPLACE BURNER

SR-36 (908mm)



AUTOMATIC FIRE BURNER

The automatic burner is based on burning liquid ethanol fuel with automatic feeding system. Burn clean no smoke, or ash.

INTELLIGENT CONTROL AND BEST QUALITY

The burner is equipped with 8 safety technologies with automatic refueling system. Control the fire with the included remote, app on your smartphone or home automation system.

FIRE BURNER AUTOMATIC SR-36

Technical Data



Custom Measure



5+ Flame Setting



No Chimney

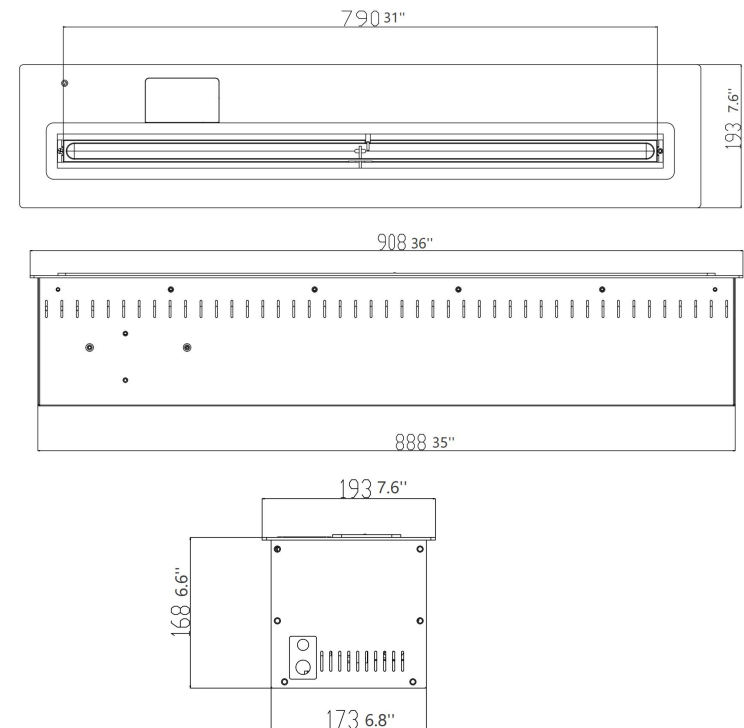


5 Years Warranty



CE Certified

	Material	SS304 Stainless steel
	Flame Size	790mm L
	Unit Dimension	908mm L x 193mm W x 168mm H
	Fuel Capacity	7.2 Liter
	Approx Burn Time	7.2-12 Hours
	Heat Out put Net	6513 W / 22221 BTU
	Minimum Room	70-80 m ²
	Weight	G:25 Kgs; N:15 Kgs
	Application	For indoor use only
	Voltage	110-240V

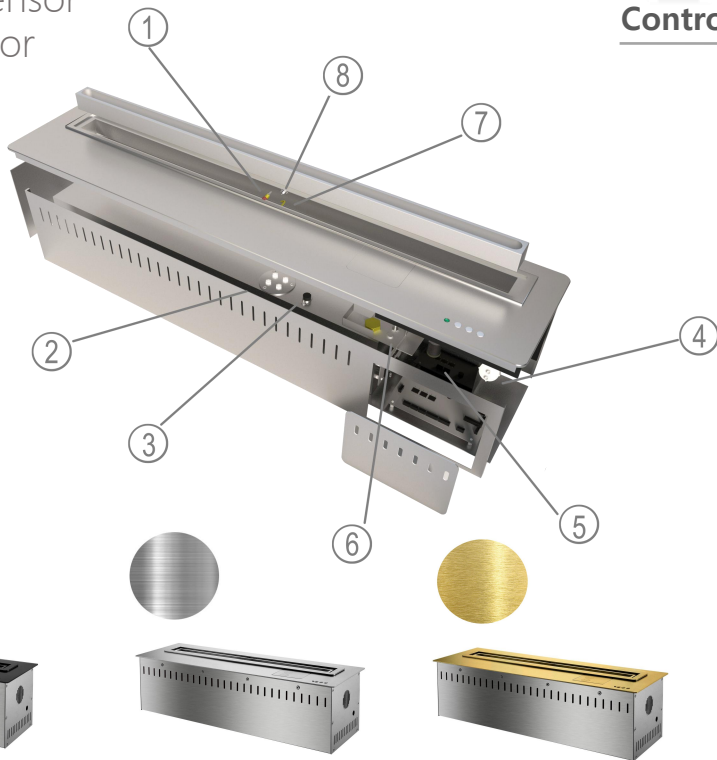




FIRE BURNER AUTOMATIC SR-36

Safety Feature 5×3

- ① Temperature sensor
- ② Fuel level sensor
- ③ Over heating sensor
- ④ Anti-tilt sensor
- ⑤ CO2 Sensor
- ⑥ Auto Filling
- ⑦ Auto Feeding
- ⑧ Auto Ignition



	RS-485	RS-232	DRY CONTACT
Z-WAVE	✓		
CRESTON	✓		
ZIGBEE	✓		
BRITICINO	✓		
M-BUS	✓	✓	
CONTROL-4		✓	
RTI		✓	✓
MODBUS		✓	
VIMAR BY-BY		✓	
KNX			✓
FABARO			✓
LUTRON			✓
TAPHOME			✓

INSTALLATION (SR-36)

Specification & Clearance



Wall cavity of fire box

Fireplace Surrounds Need to be Non-combustible

	A	B	C
inch	15"	43-1/5"	17-3/4"
mm	383	1098	450



Cut opening of enclosure

A standard 3-prong grounded 110/240-volt outlet is needed

	A	B	C
inch	7-1/5"	35-2/5"	9-4/5"
mm	183	898	250

